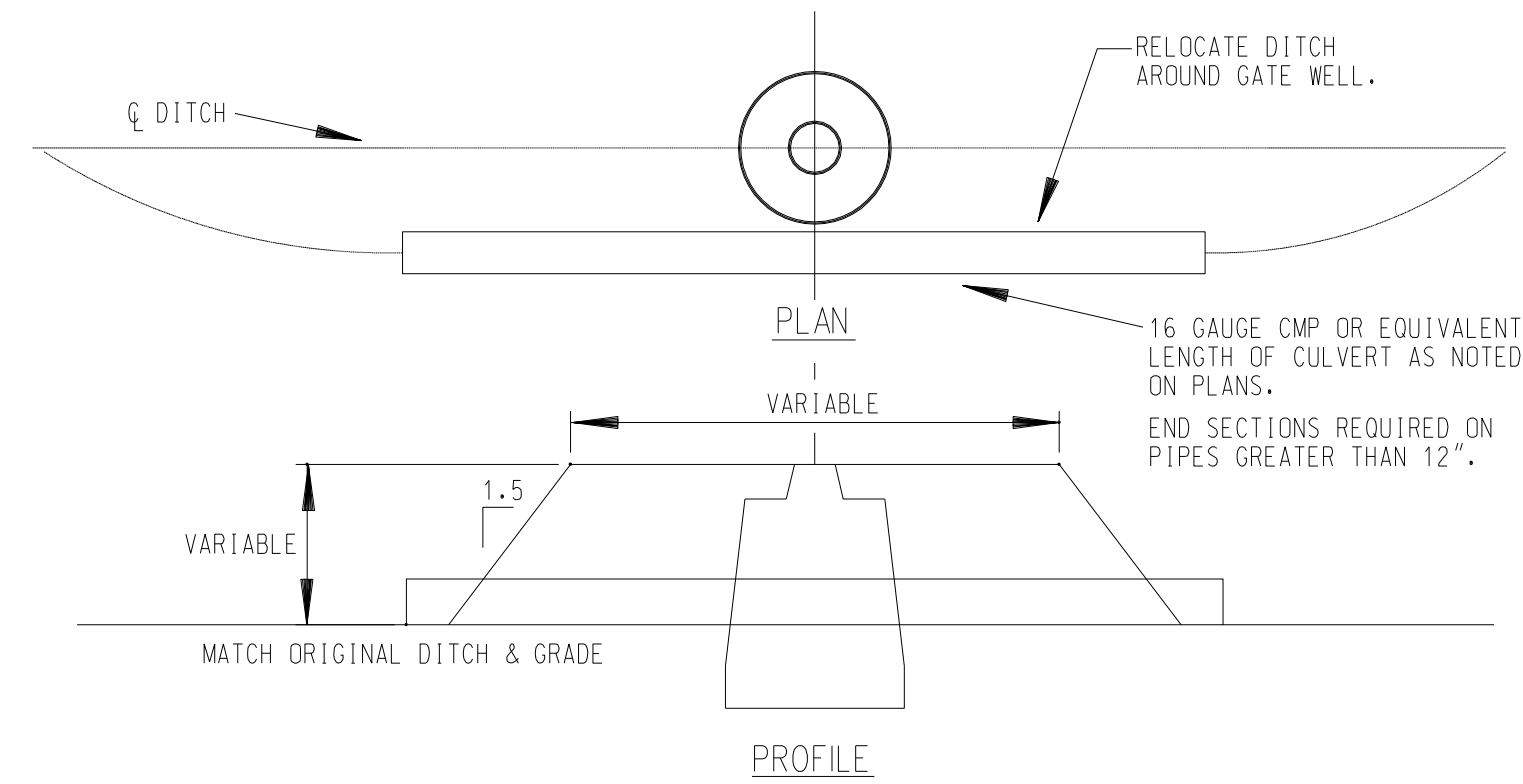
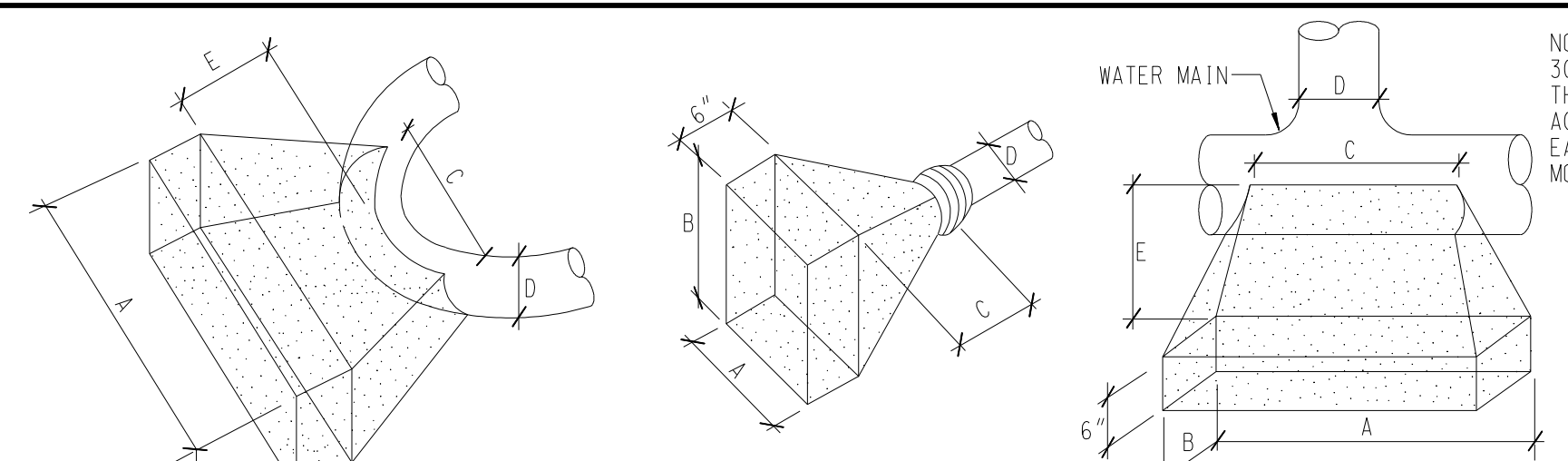


**TYPICAL PUBLIC ROAD WATER SERVICE CONNECTION**  
NO SCALE

- NOTES:  
1. WATER SERVICE SHUT-OFF TO BE PLACED AT PROPERTY LINE.  
2. LATERAL LOCATION SHALL BE AS REQUESTED BY THE ADJUTING PROPERTY OWNER.



**DITCH ENCLOSURE AT GATE WELL**  
NO SCALE



FOR 90° BENDS OR SMALLER

D	A	B	C	E MIN.
20"	8"	6.5"	3.5"	2.5"
16"	6"	4"	2.5"	2"
12"	4"	3"	2"	1.75"
10"	3"	3"	2"	1.75"
8"	3"	2"	2"	1.5"
6"	2"	1.5"	2"	1.25"

FOR PLUGS

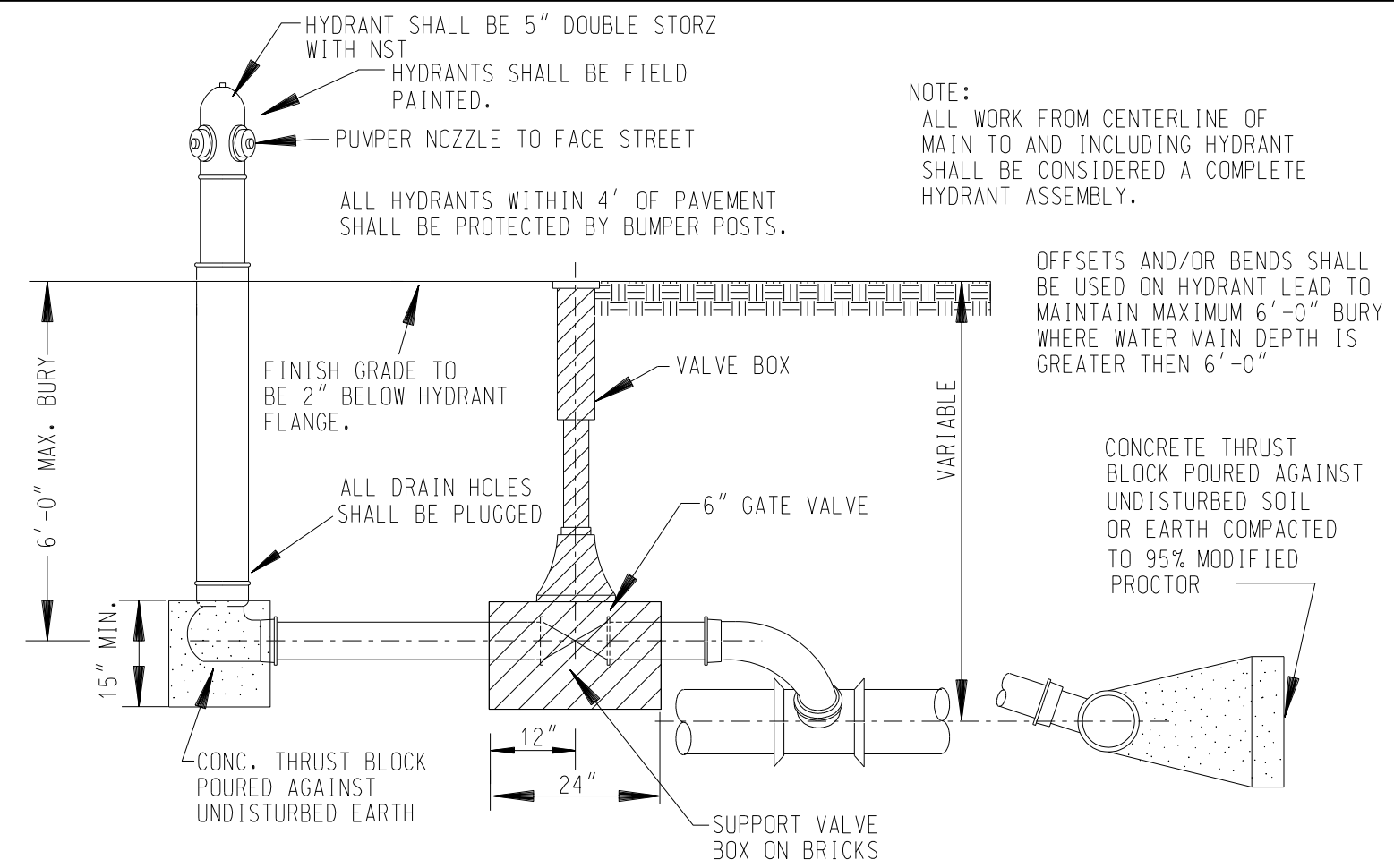
D	A	B	C MIN.
20"	7"	5"	2.5"
16"	4'-10"	4'-10"	2"
12"	4'-4"	3"	1'-9"
10"	3"	2"	1'-6"
8"	2'-10"	2'-6"	1'-6"
6"	1'-6"	1'-6"	3'

FOR TEES

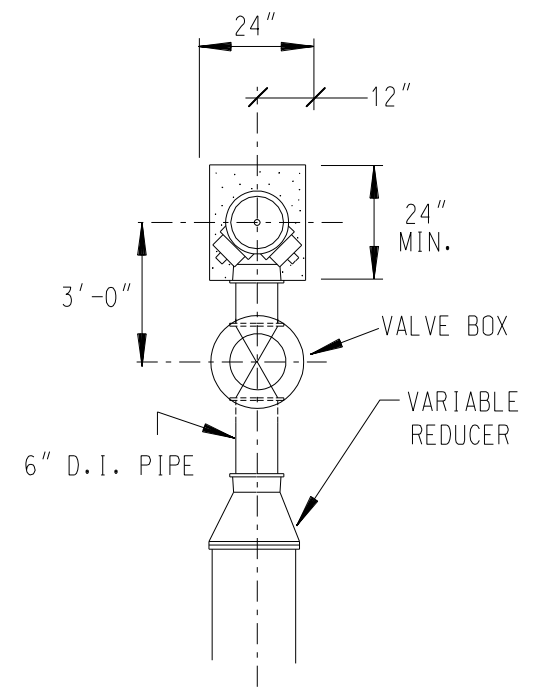
D	A	B	C	E MIN.
20"	6.5"	4.5"	3.5"	3'
16"	4'-8"	4'-8"	2.5"	2.75'
12"	4"	3"	2.5"	2.5'
10"	3"	2"	2'	2.25'
8"	2'-6"	2'	2'	2.25'
6"	2'	2'	2'	2.25'

NOTE:  
3000 PSI CONCRETE TO BE USED. THRUST BLOCK TO ABUTT & REST AGAINST UNDISTURBED SOIL OR EARTH COMPACTED TO 95% MODIFIED PROCTOR.

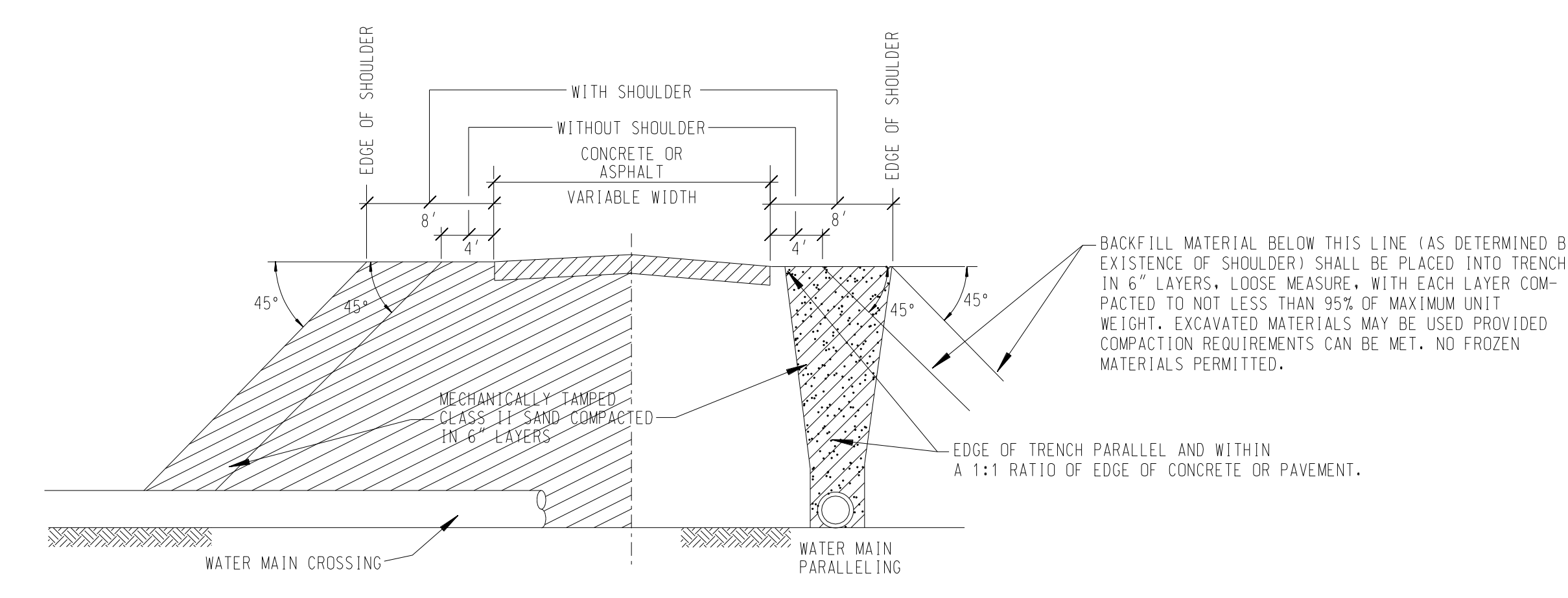
**THRUST BLOCK DETAILS**



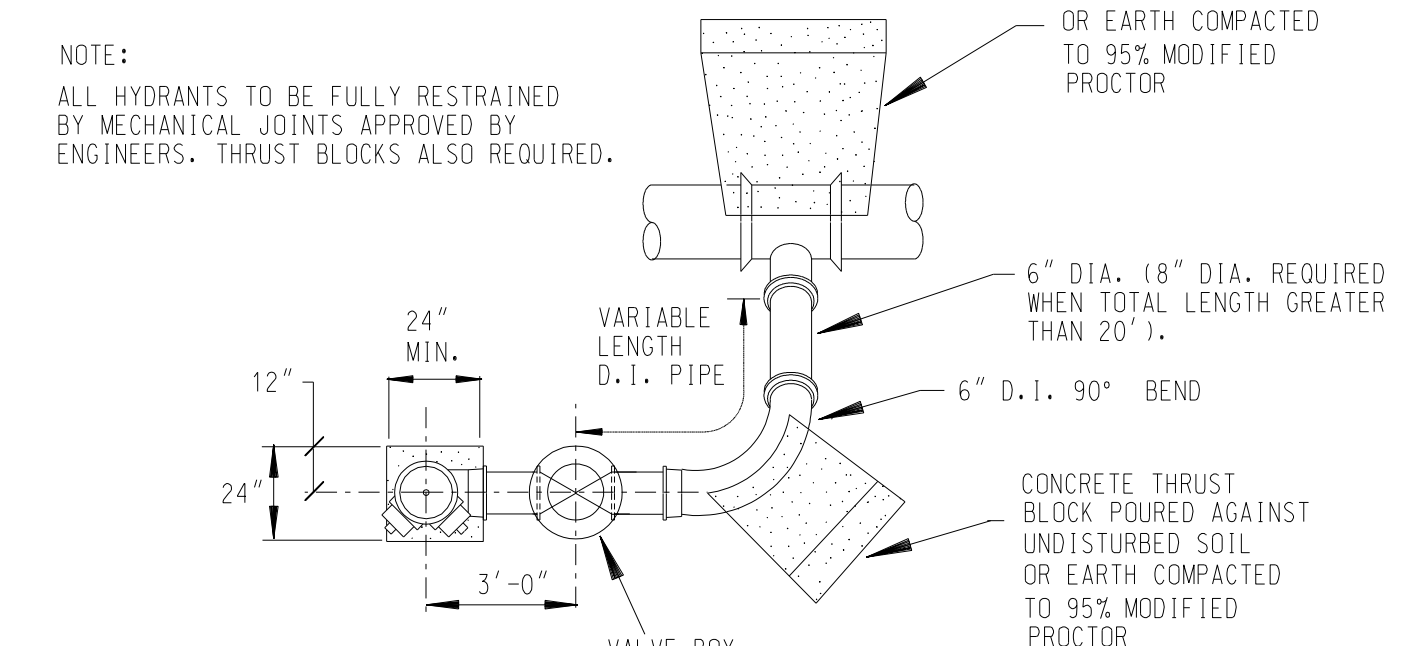
**SECTION 6" HYDRANT SIDE OUTLET**  
SCALE 1" = 2'



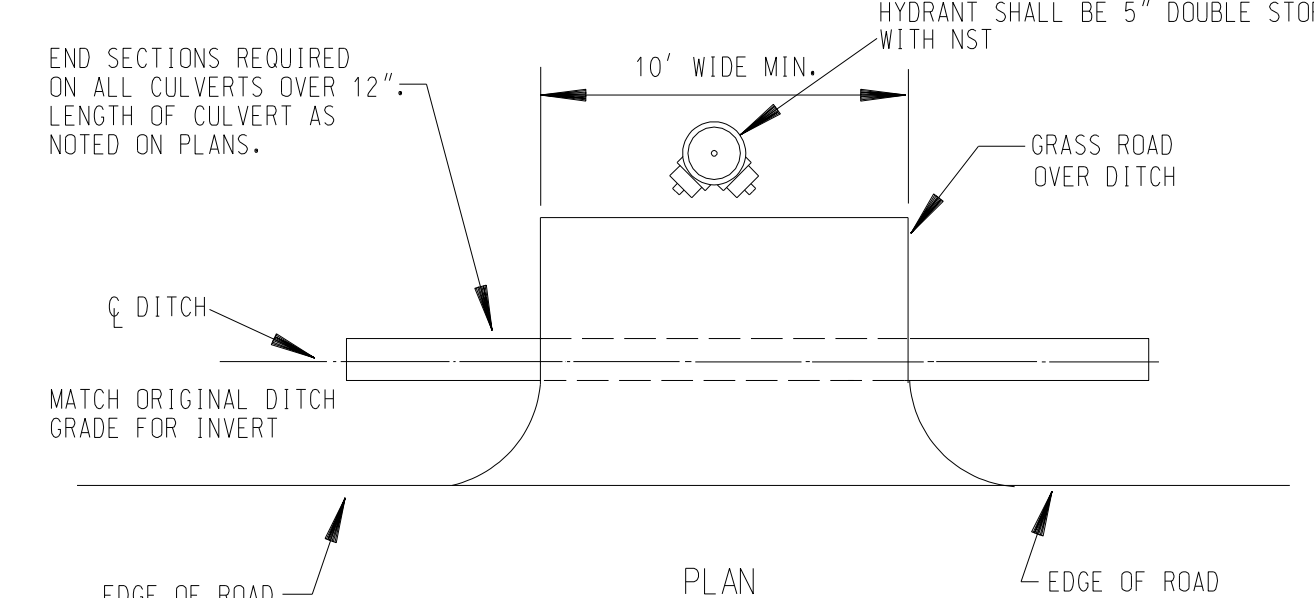
**PLAN 6" HYDRANT WATER MAIN END**  
SCALE 1" = 1'



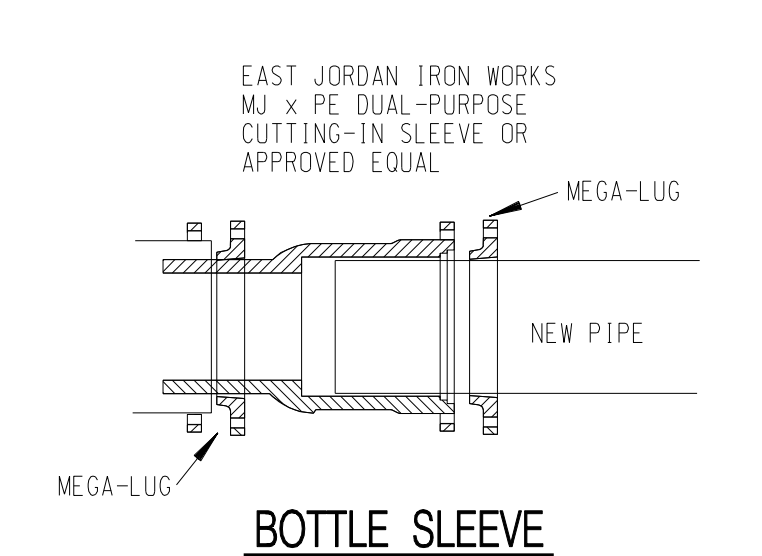
**MINIMUM BACKFILL UNDER OR NEAR PAVEMENT**  
SCALE 1" = 6'



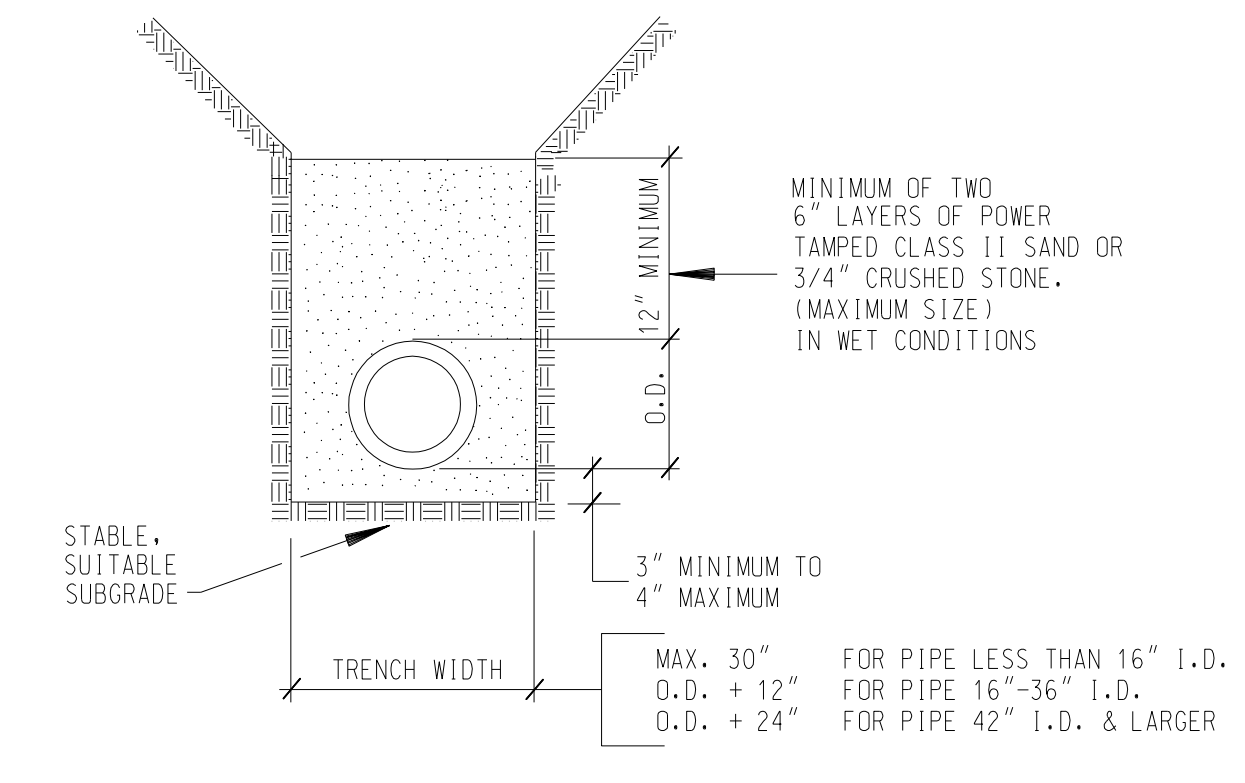
**PLAN 6" HYDRANT SIDE OUTLET**  
SCALE 1" = 1'



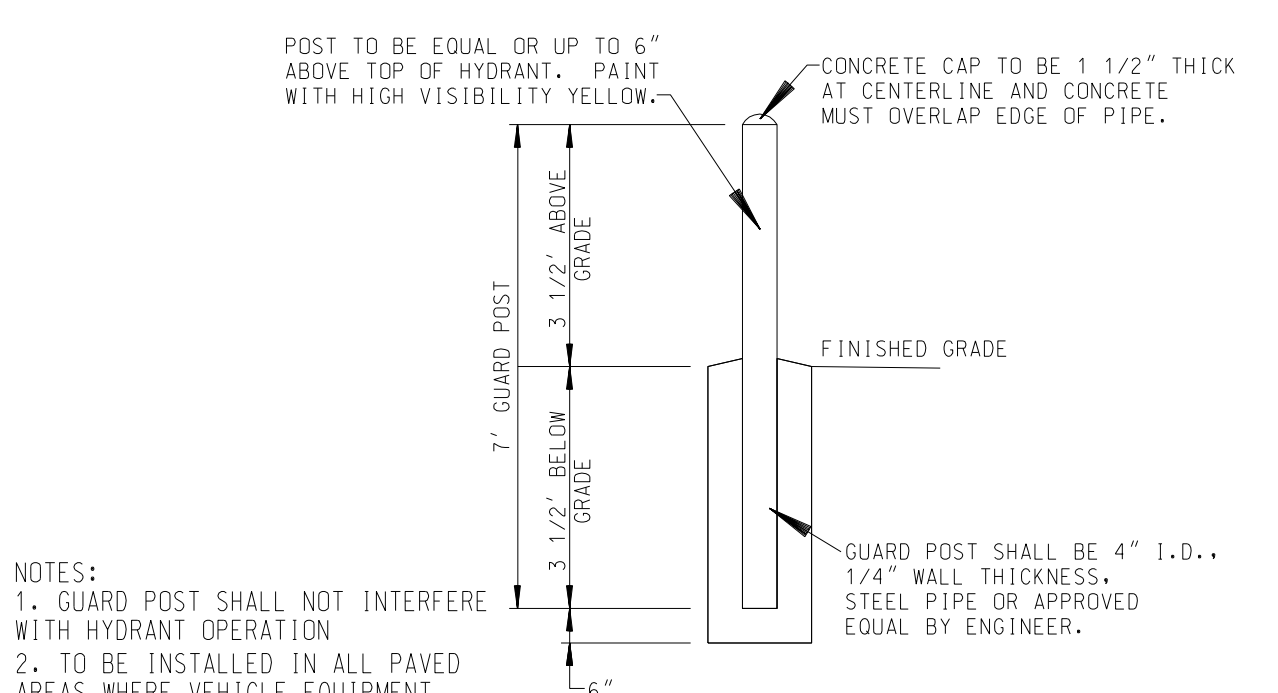
**DITCH ENCLOSURE AT HYDRANT**  
NO SCALE



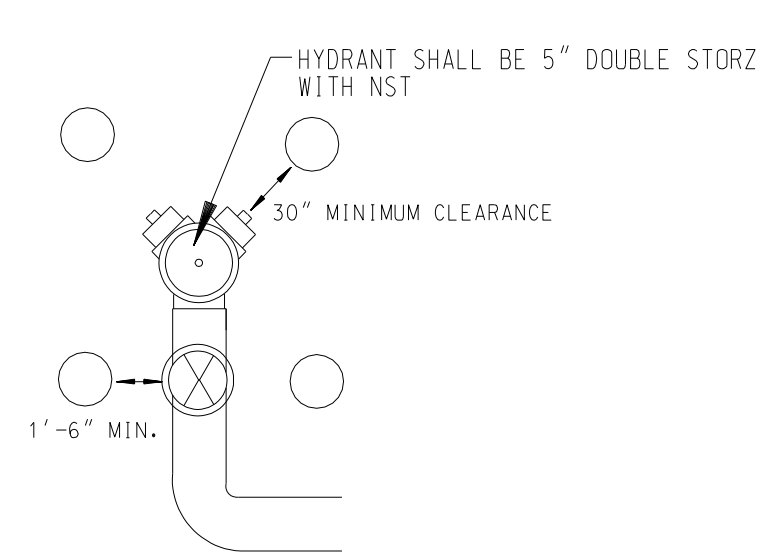
**BOTTLE SLEEVE**



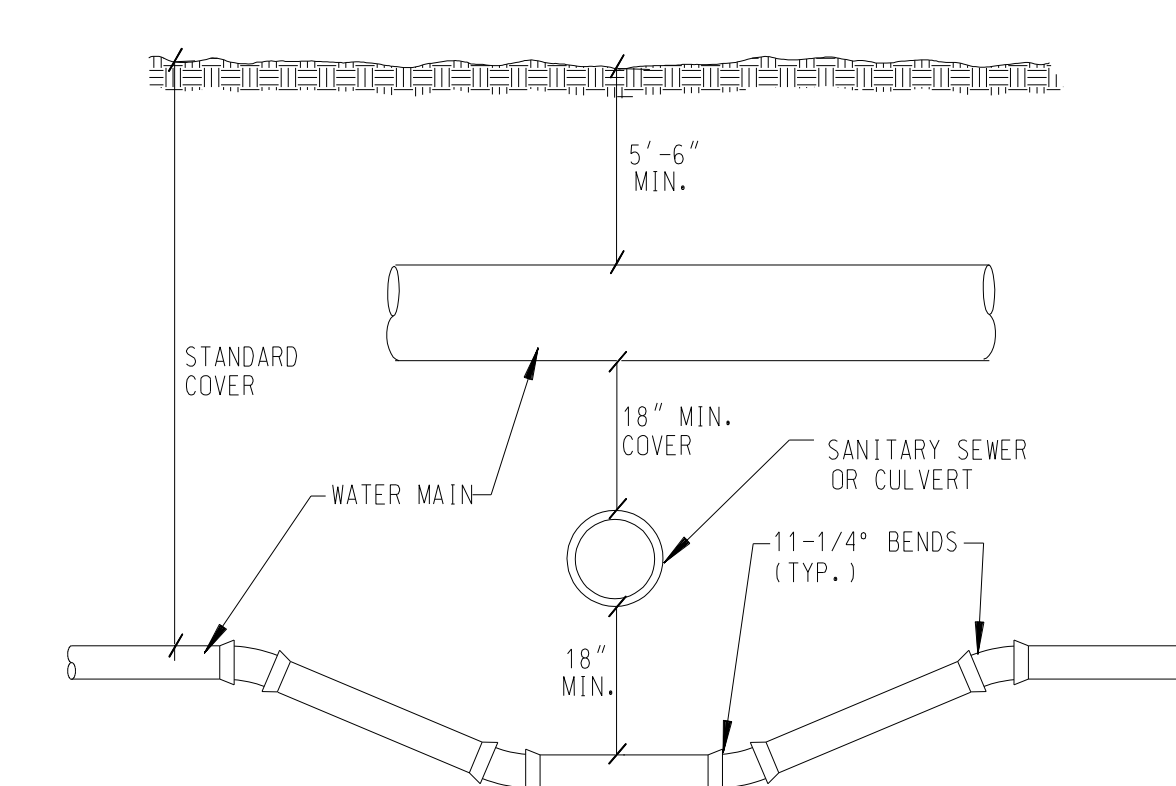
**STANDARD BEDDING FOR WATER MAIN**  
SCALE 1" = 4'



**GUARD POST**  
SCALE 1" = 3'



**DEAD END BLOWOFF CONNECTION**  
SCALE 1" = 1'



**SEWER OR CULVERT CROSSING**  
SCALE 1" = 2'

- NOTES:  
1. GUARD POST SHALL NOT INTERFERE WITH HYDRANT OPERATION.  
2. TO BE INSTALLED IN ALL PAVED AREAS WHERE VEHICLE EQUIPMENT DAMAGE TO HYDRANT IS POSSIBLE.

**HYDRANT & BLOWOFF DETAILS**

REVISIONS:

DATE:	DETAILS FINIALIZED	HYDRANT DETAIL PER FIRE CHIEF	REVISED PER LYON TWP F.D.
8/13/02			
9/16/02			
2/16/12			



PRINCIPAL: LDC  
PROJ. MGR: JDM  
DESIGN: GWE  
DRAWN: GWE  
IND. REVIEW: JDM

CHARTER TOWNSHIP OF LYON  
LYON MUNICIPAL CENTER  
58000 GRAND RIVER AVENUE  
NEW HUDSON, MI 48165  
(248) 437-2240

**Giffels-Webster Engineers, Inc.**  
ENGINEERS - LAND SURVEYORS - PLANNERS - LANDSCAPE ARCHITECTS  
1025 E. MAPLE SUITE 100 BIRMINGHAM, MI 48009  
(248) 852-3100

**Terms and Conditions for Electronic Data:**  
The user agrees that any use or reuse of electronic data for any purpose other than that for which it was originally intended is prohibited. The user agrees that the electronic data is provided for the user's use only and that the user is responsible for the accuracy of the information provided. The user agrees that the electronic data is provided for the user's use only and that the user is responsible for the accuracy of the information provided. The user agrees that the electronic data is provided for the user's use only and that the user is responsible for the accuracy of the information provided.

SHEET TITLE:  
**WATER MAIN STANDARD DETAILS**  
LYON TOWNSHIP, OAKLAND CO., MI

DATE: 2/16/12  
SCALE: AS NOTED  
SHEET: W-2  
JOB: