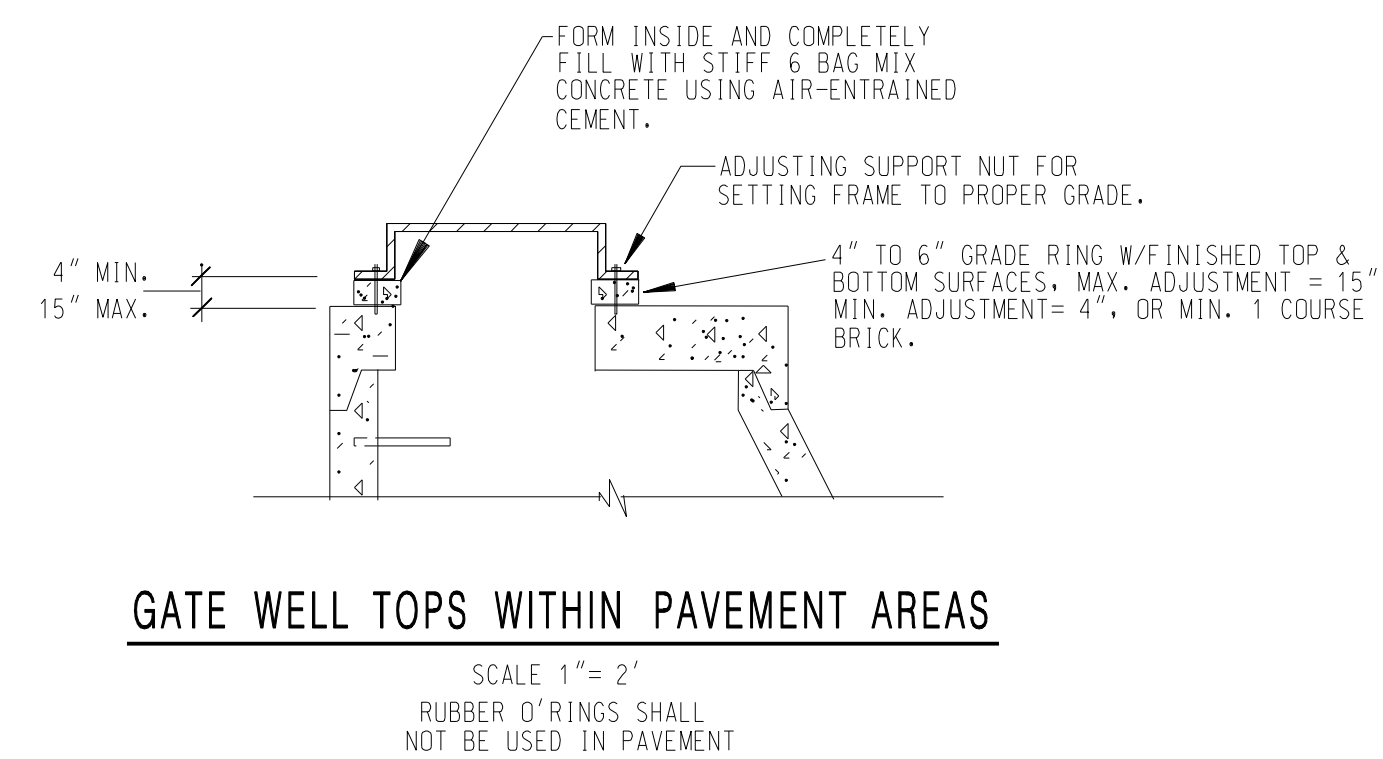
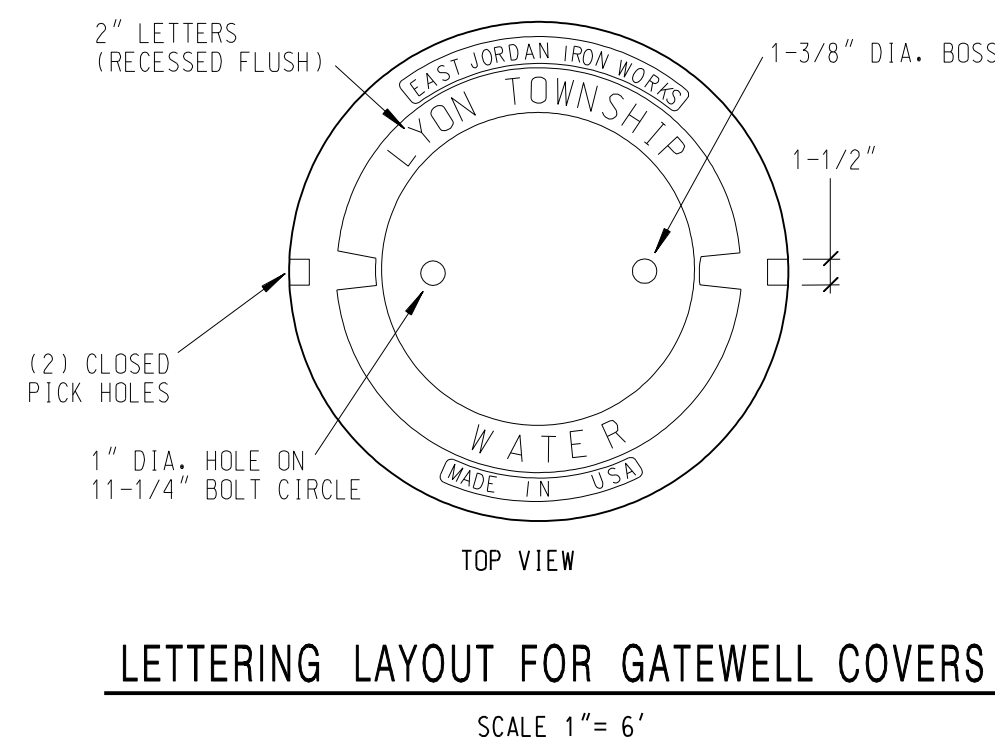
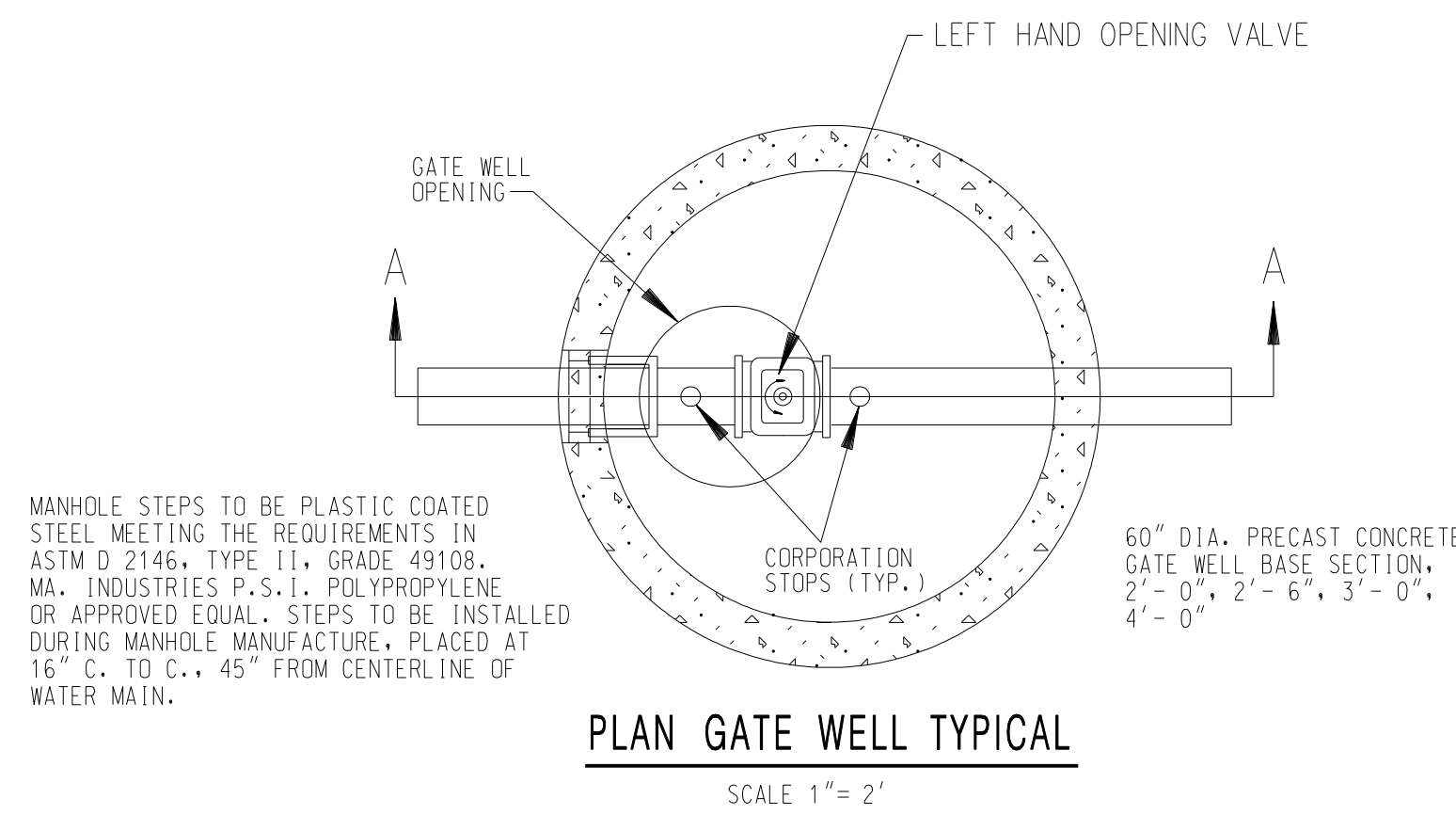
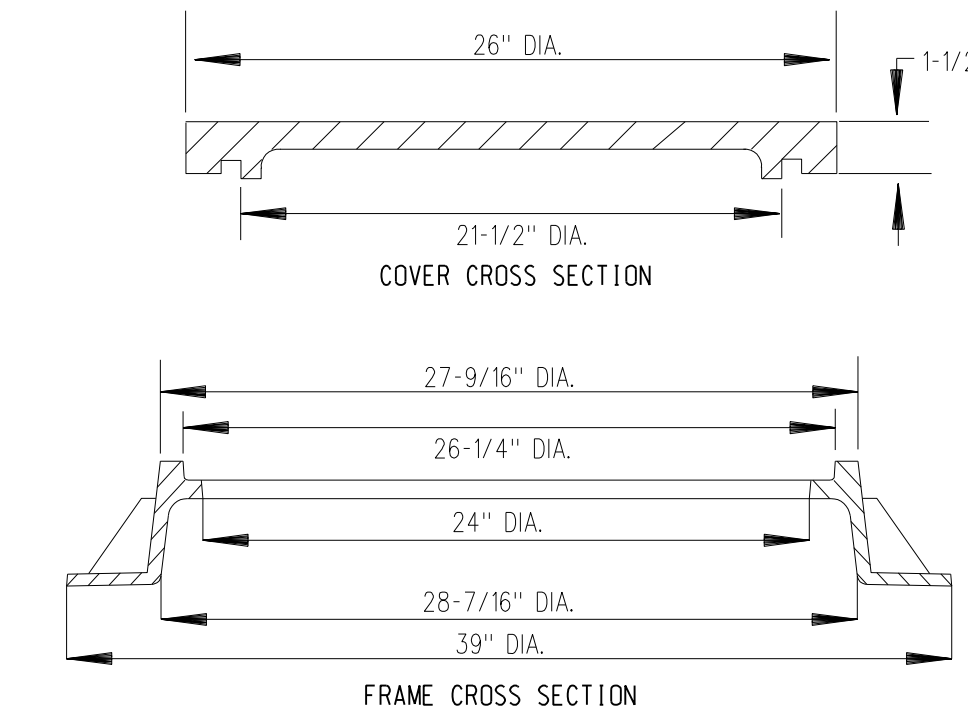
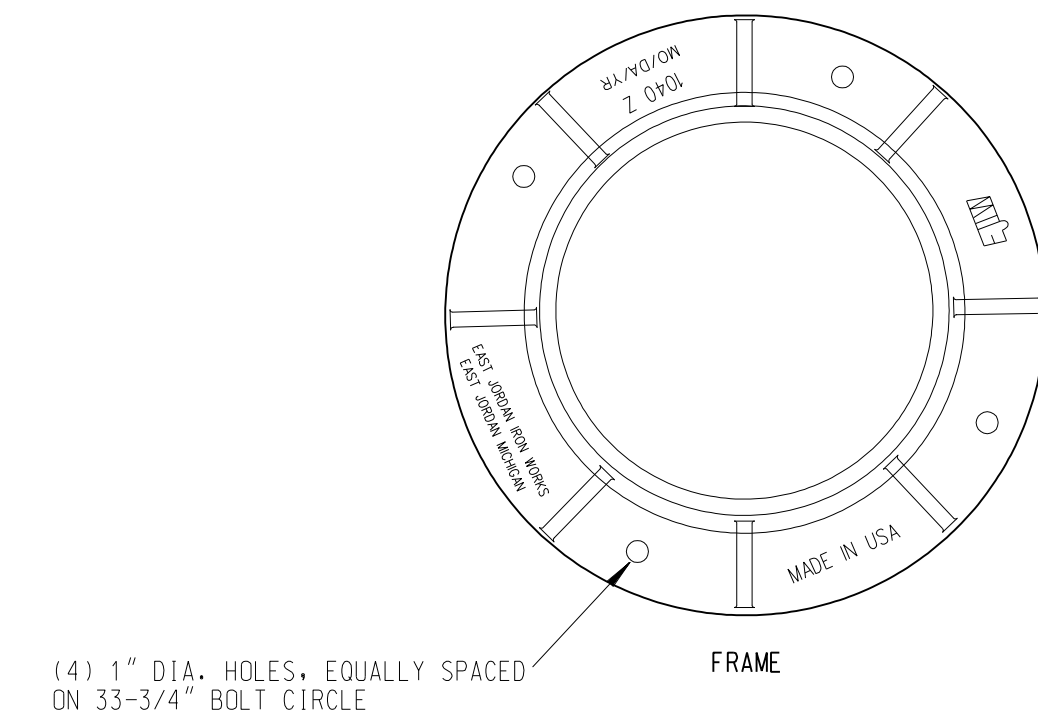
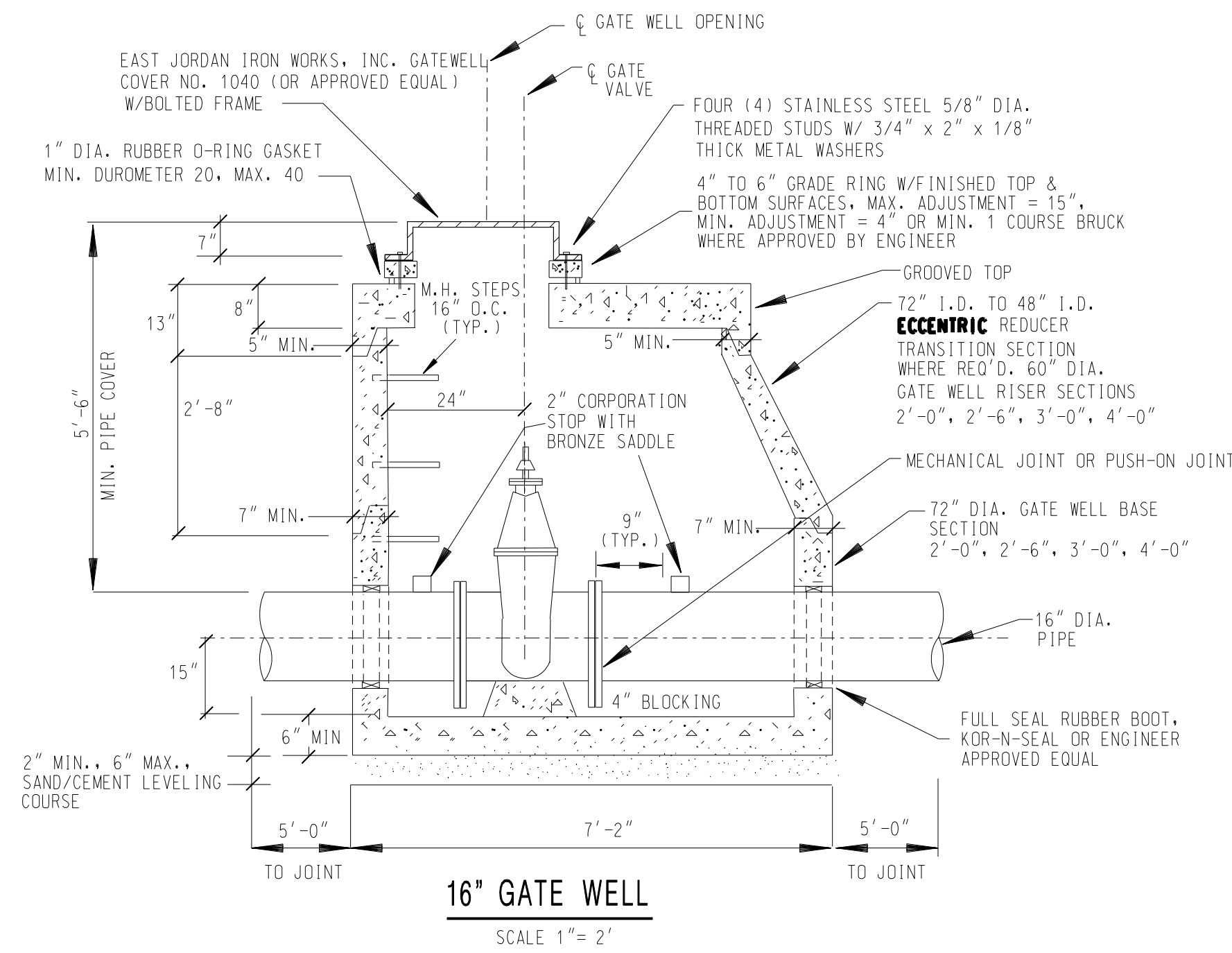
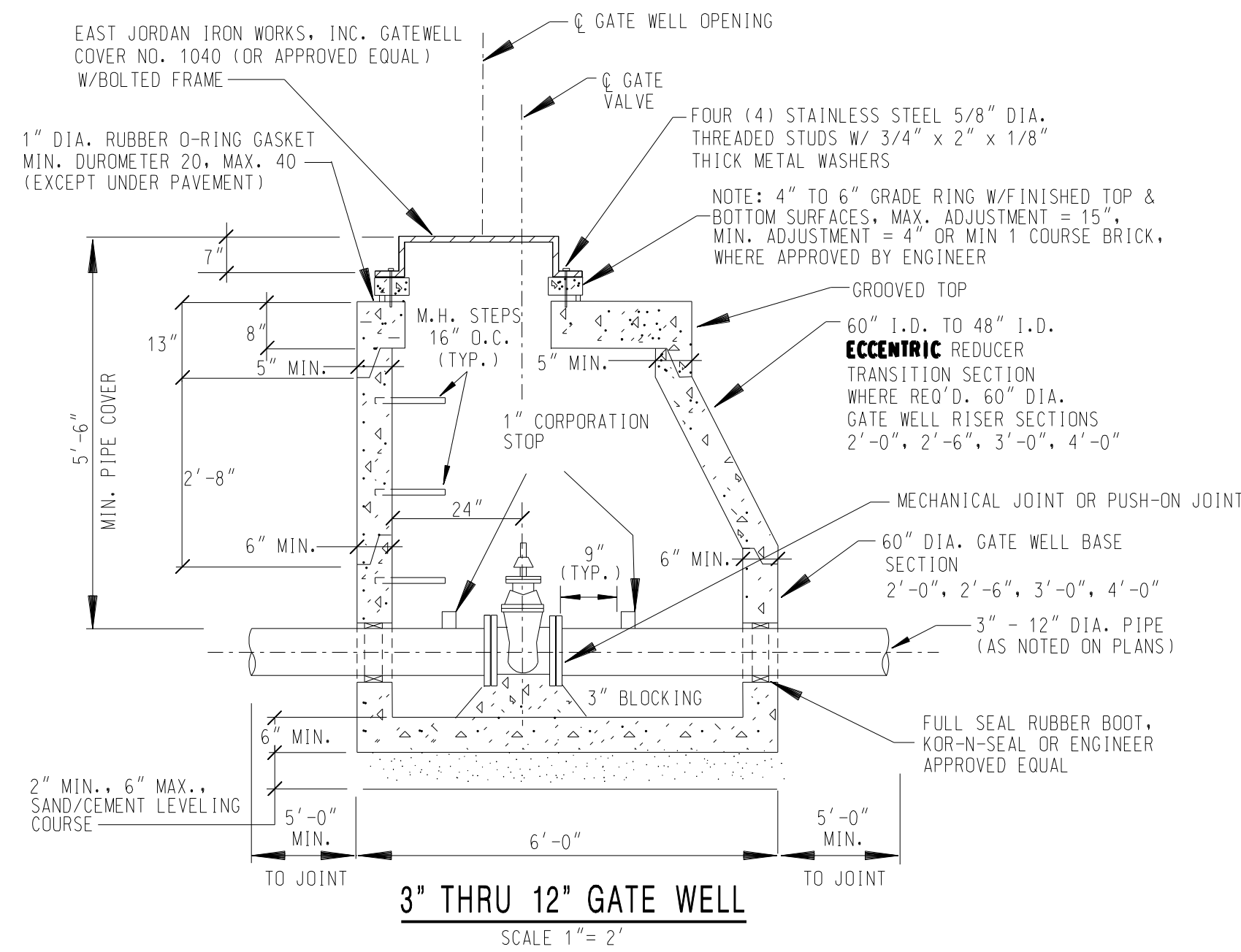
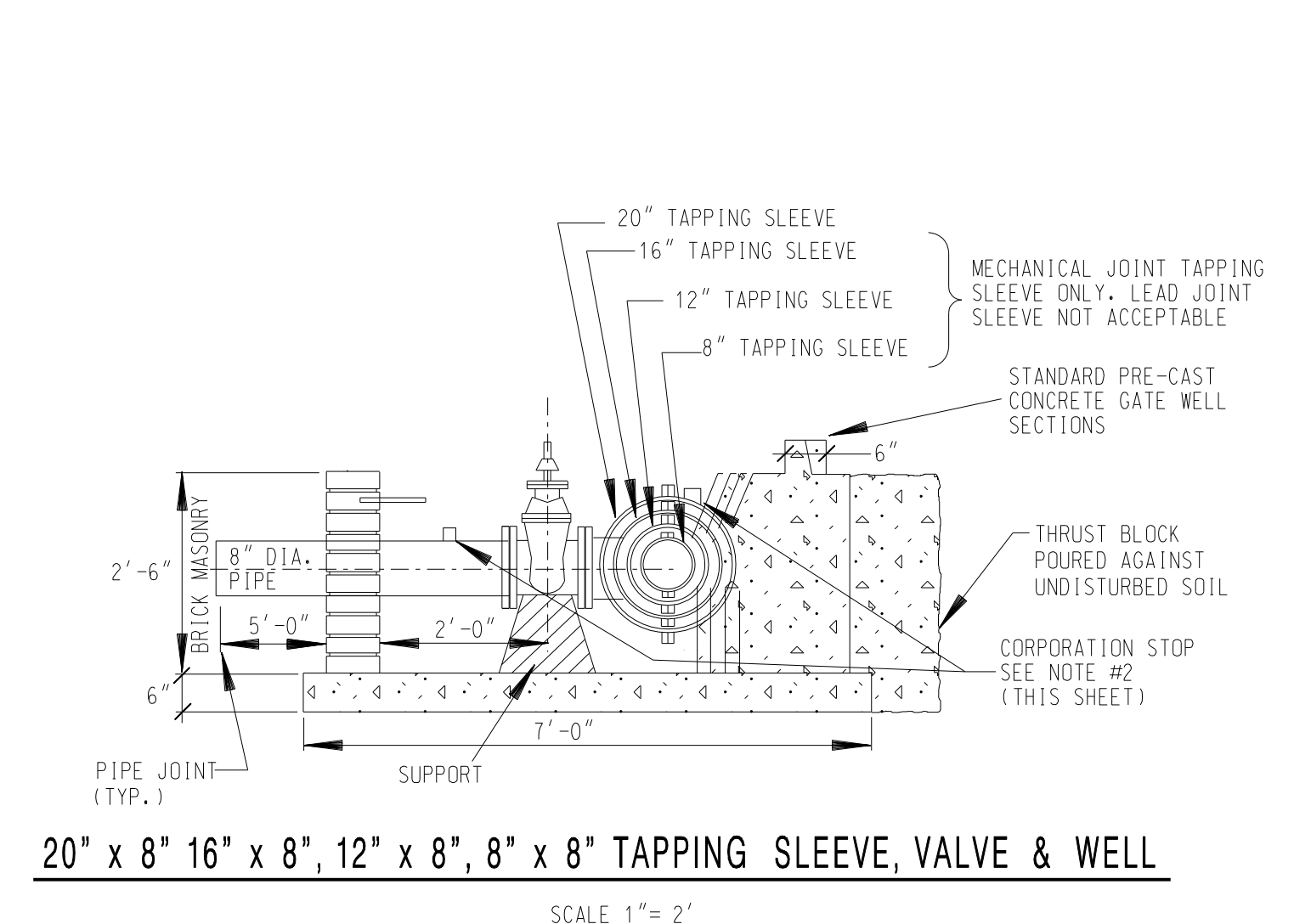
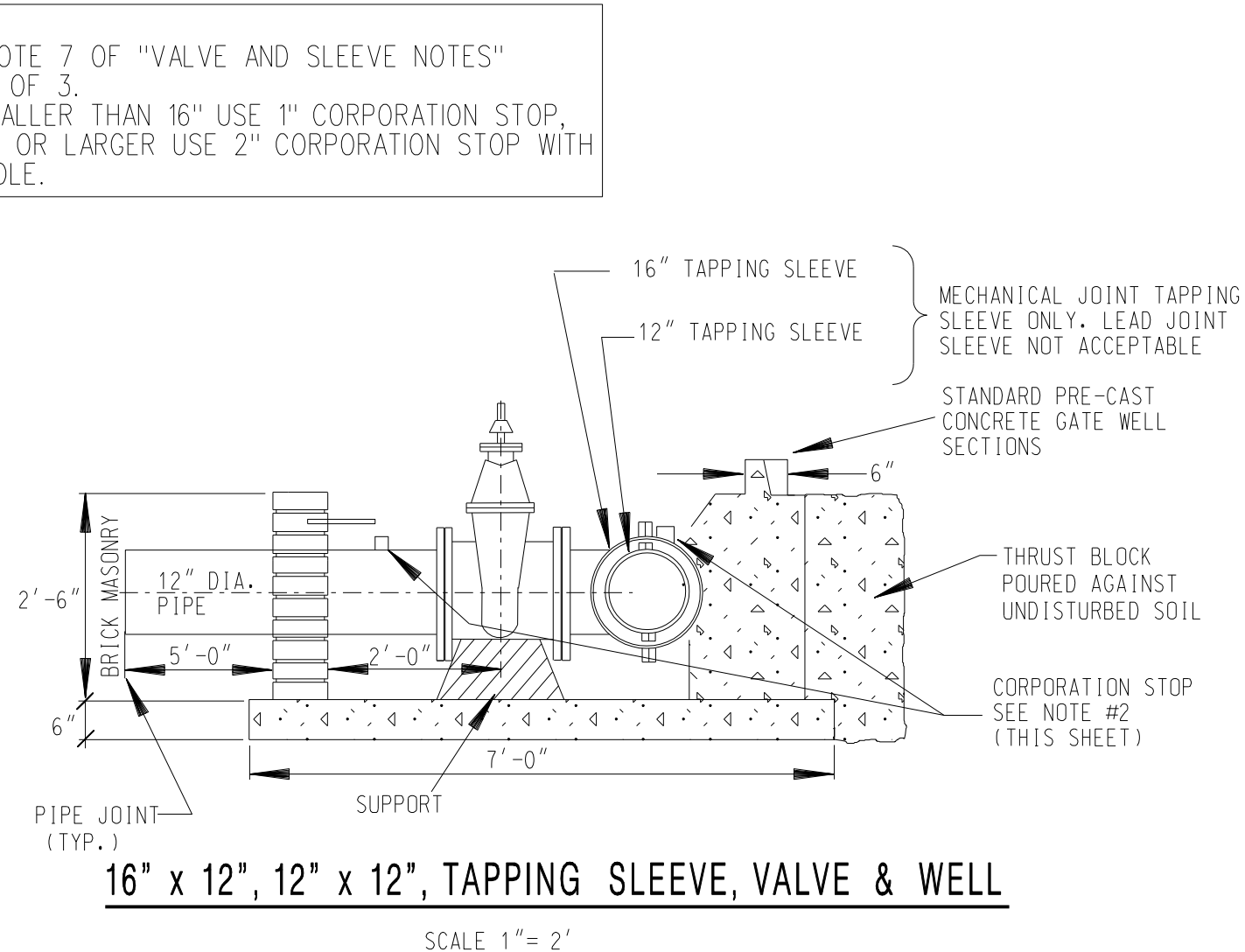
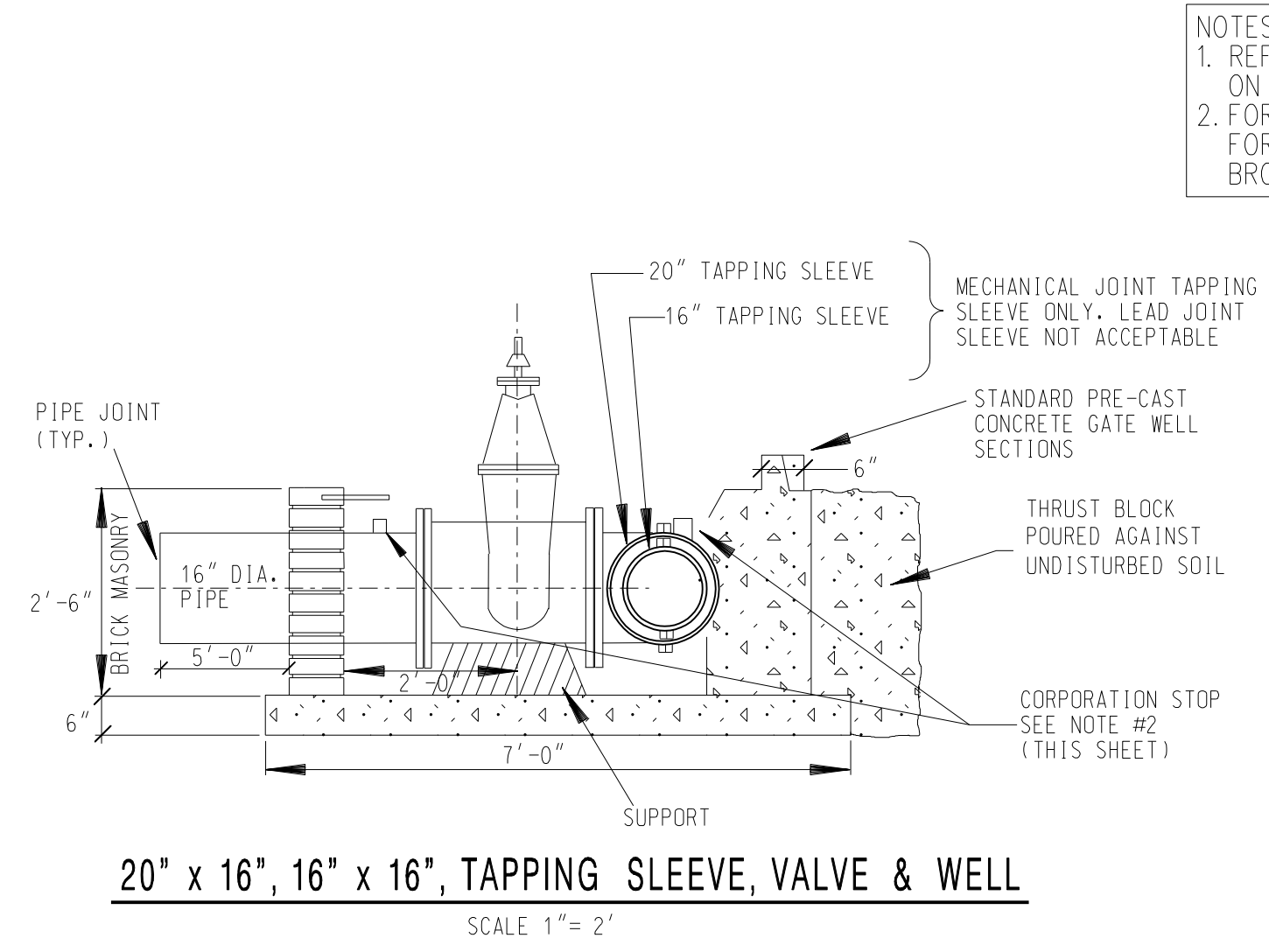
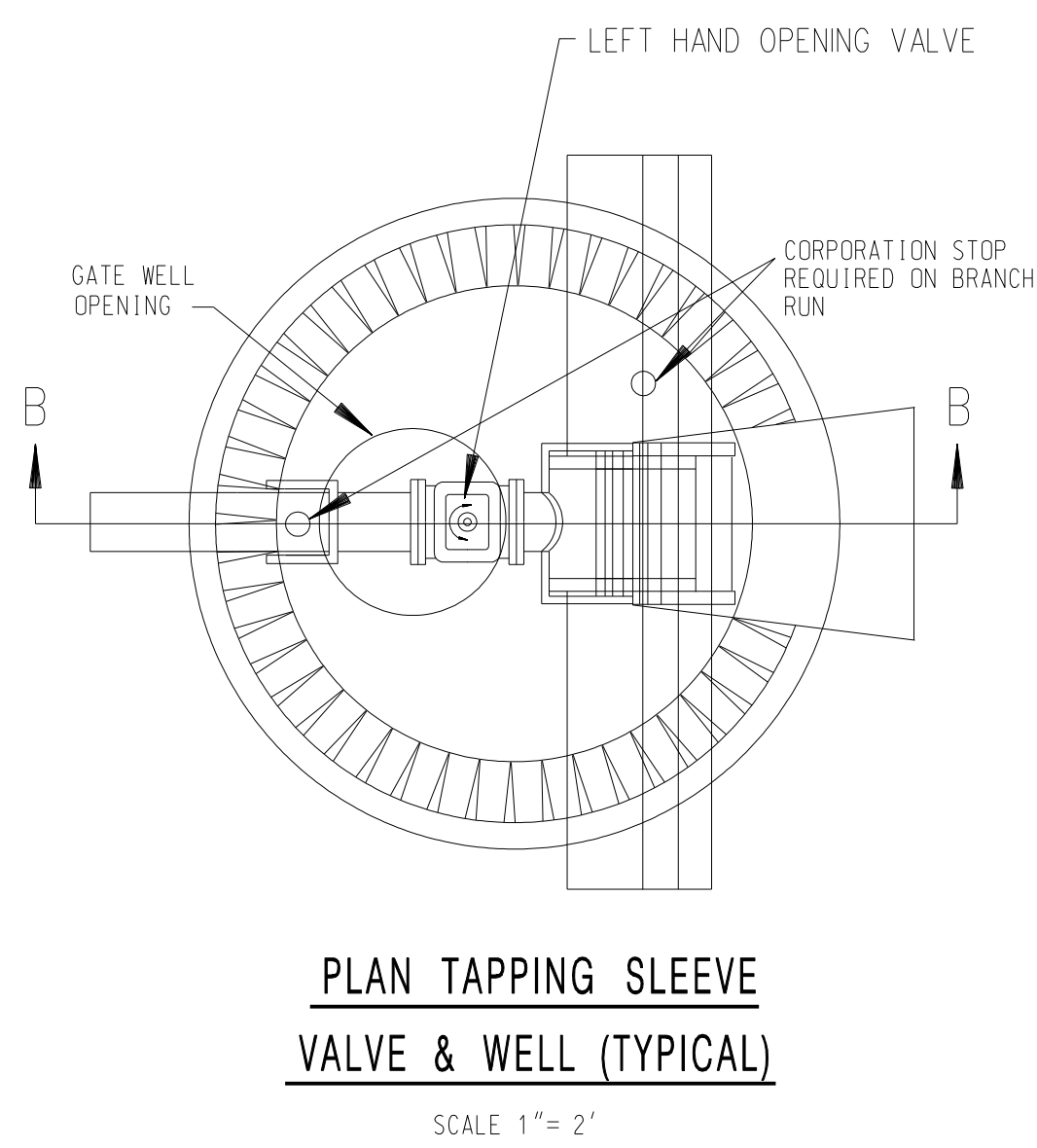


# GATE VALVE & WELL DETAILS



LESLEJ N. ZAWADA  
ENGINEER  
No. 48741  
STATE OF MICHIGAN

NOTE:  
ALL HYDRANTS SHALL BE 5" DOUBLE STORZ WITH NST.



NOTES:  
1. REFER TO NOTE 7 OF "VALVE AND SLEEVE NOTES" ON SHEET 3 OF 3.  
2. FOR PIPE SMALLER THAN 16" USE 1" CORPORATION STOP. FOR 16" PIPE OR LARGER USE 2" CORPORATION STOP WITH BRONZE SADDLE.

# TAPPING SLEEVE GATE VALVE & WELL DETAILS

REVISIONS:	
DATE:	8/13/20
DETAILS FINIALIZED	2/7/20
REVISED PER LYON TWP. F.D.	



PRINCIPAL: LDC  
PROJ. MGR: JDM  
DESIGN: GWE  
DRAWN: GWE  
IND. REVIEW: JDM

CHARTER TOWNSHIP OF LYON  
LYON MUNICIPAL CENTER  
58000 GRAND RIVER AVENUE  
NEW HUDSON, MI 48165  
(248) 437-2240

**GWE**  
Giffels-Webster Engineers, Inc.  
ENGINEERS LAND SURVEYORS PLANNERS LANDSCAPE ARCHITECTS  
1025 E. MAPLE SUITE 100 BIRMINGHAM, MI 48009  
(248) 852-3100

**Terms and Conditions for Electronic Data:**  
The user agrees that the electronic data is for informational purposes only. The user agrees that the electronic data is not to be used for any other purpose. The user agrees that the electronic data is not to be used for any other purpose. The user agrees that the electronic data is not to be used for any other purpose.

**WATER MAIN STANDARD NOTES**  
LYON TOWNSHIP, OAKLAND CO., MI

DATE: 2/16/12  
SCALE: AS NOTED  
SHEET: W-1  
JOB: